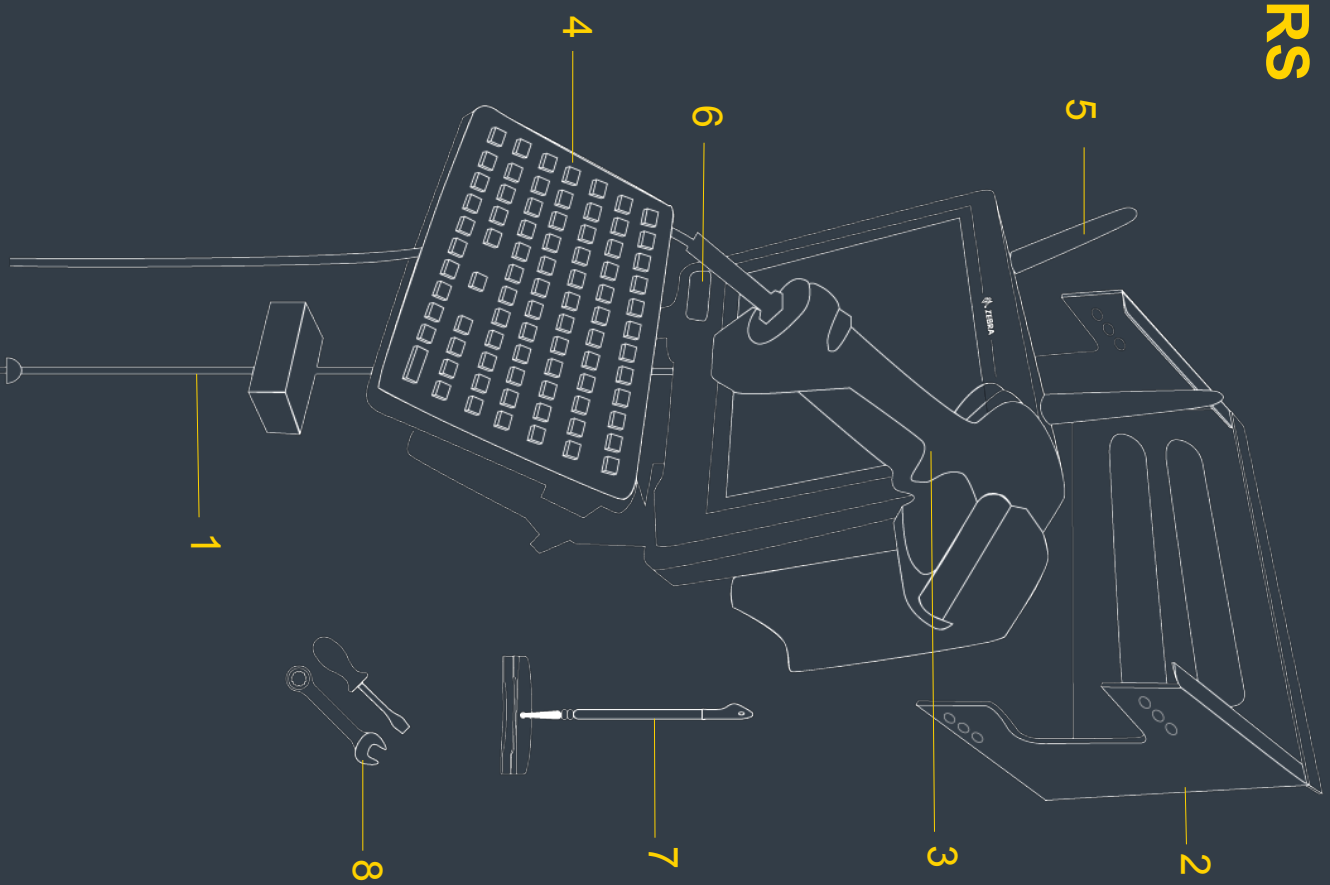




VEHICLE-MOUNTED COMPUTERS INSTALL ILLUSTRATION

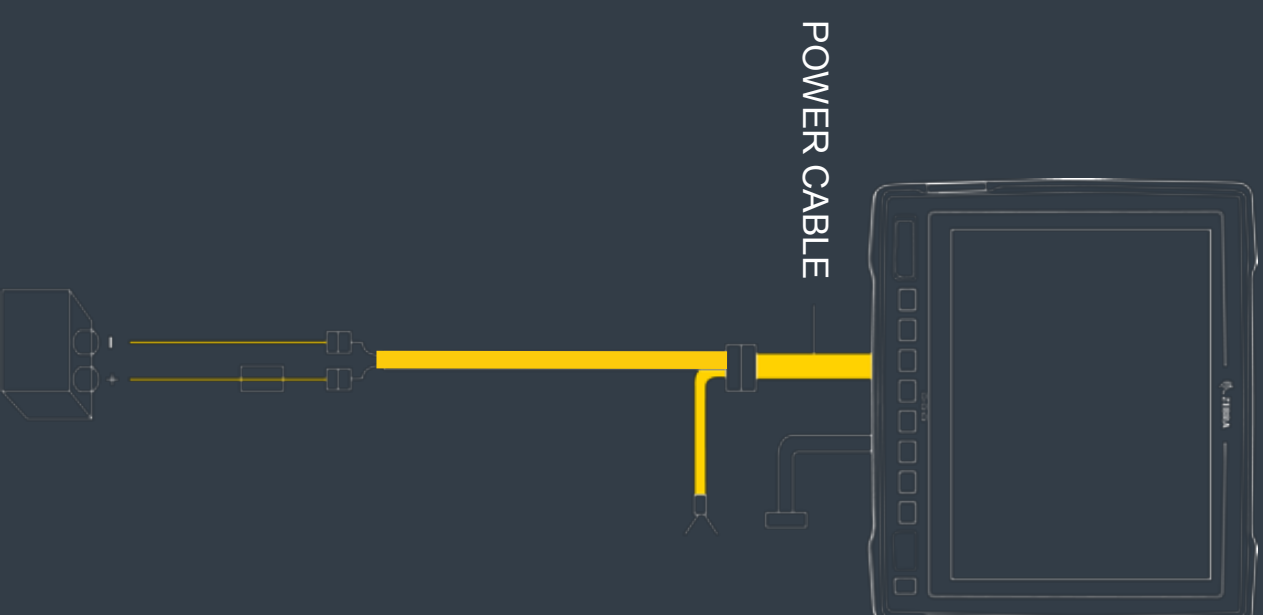
STEP	ACCESSORY	SLIDE
1	Power Supplies & Cables	6-14
2	Mounts	15-19
3	Scanners	20-22
4	Keyboards	23-26
5	Antennas	27-29
6	Voice	30-31
7	Miscellaneous	32-33
8	Service Parts	34-35

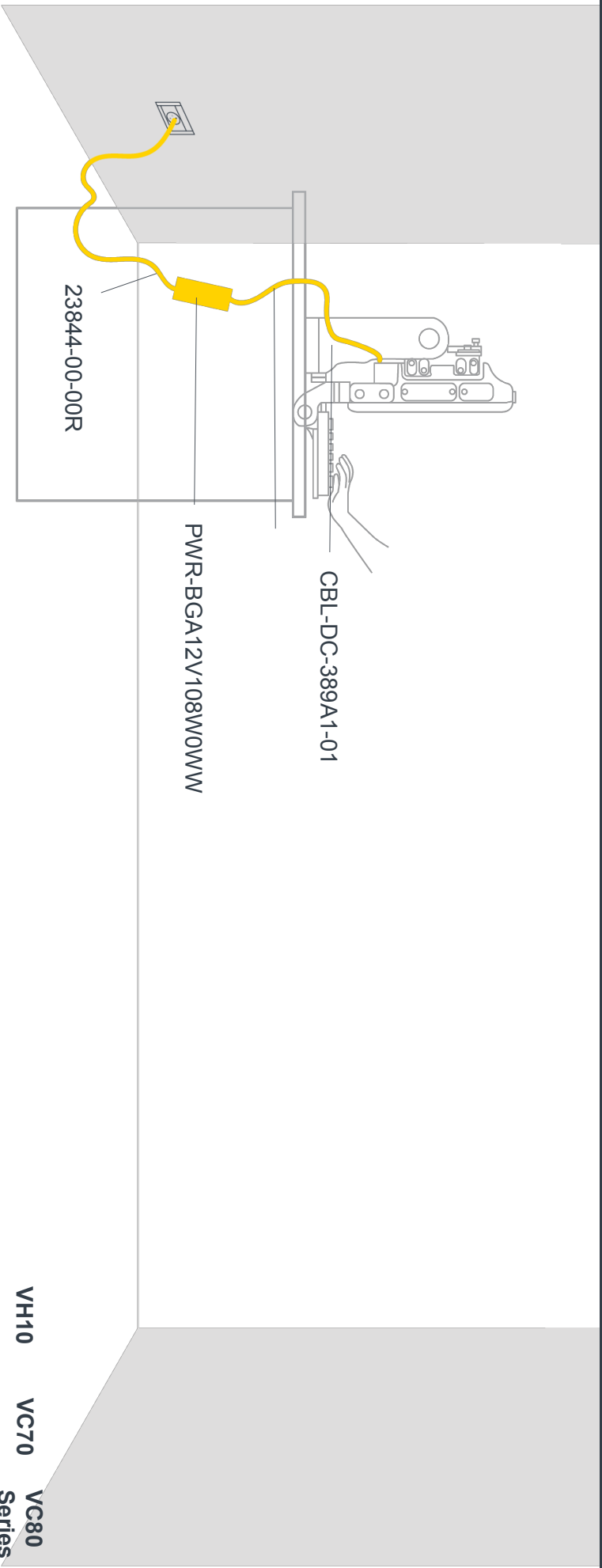


STEP 1: POWER SUPPLIES AND CABLES

CHOOSE FROM MULTIPLE INSTALLATION CASES:

- PLUG INTO AN AC WALL OUTLET
 - VC70, VC80 Series OR VH10 — SLIDE 6
- PLUG INTO THE VEHICLE'S DC POWER
 - VC70 — SLIDE 7-9
 - VH10 OR VC80 Series — SLIDE 10-14





VC70, VC80 Series OR VH10 POWERED BY PLUGGING INTO AN AC WALL OUTLET

	VH10	VC70	VC80 Series
•	•	•	•



AC POWER CABLE
 US AC line cord, 7.5 feet long, grounded, three wire for the AC power supplies PS1450 and PWR-BGA12V108W0WW. Associated Countries: United States.

•	•	•
---	---	---



AC POWER SUPPLY for VC70
 Order country specific 3 wire grounded AC line cord separately.

•	•	
---	---	--



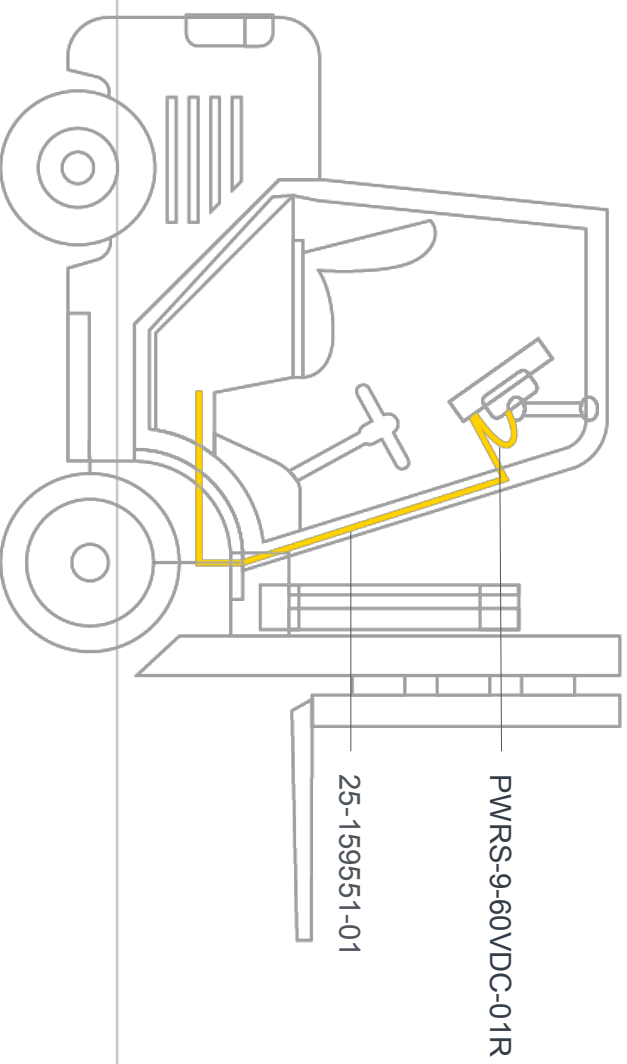
DC POWER SUPPLY ADAPTER CABLE for VC70
 6.5', required when the PWR-BGA12V108W0WW is used.

•	•	
---	---	--



AC POWER SUPPLY for VH10 and VC80 Series
 100/240 VAC Power Supply, 12V, 6A, order AC cable separate

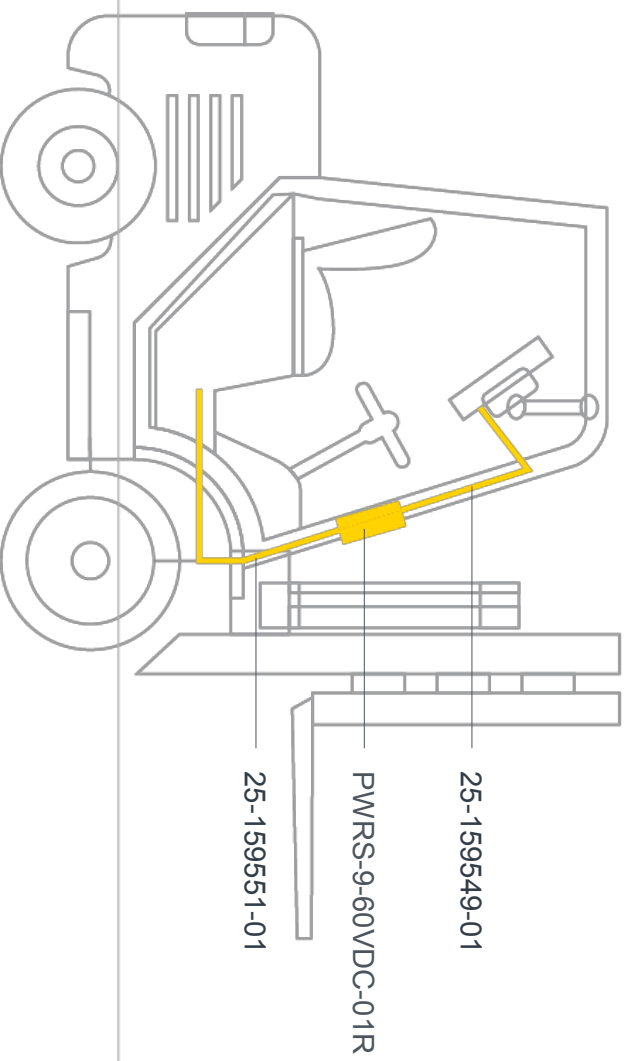
•		•
---	--	---



VC70

VEHICLE MOUNT (DC POWER SUPPLY MOUNTED ON THE VC70)

Buy both	
	DC POWER SUPPLY ID: PWRS-9-60VDC-01R External DC Power supply, VC70, 9-60VDC Requires 25-159551-01 fused DC power cable to vehicle battery
	DC POWER CABLE ID: 25-159551-01 Cable, external 9-60V DC power supply to vehicle battery, 10', includes fuse, VC70. Required for the PWRS-9-60VDC-R



VC70

VEHICLE MOUNT (DC POWER SUPPLY NOT MOUNTED ON THE VC70)

EXTENSION CABLE | ID: 25-159549-01

Cable, external power supply to VC70 extender. 6.5', VC70. Required when the PWRS-9-60VDC-01R is not mounted on the back of the VC70.

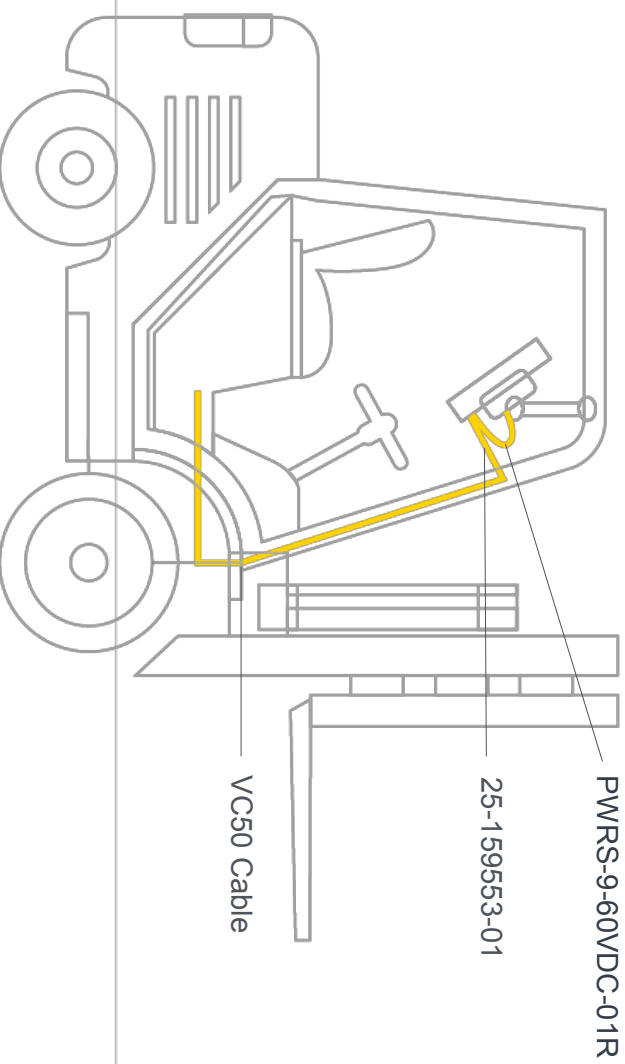
DC POWER SUPPLY | ID: PWRS-9-60VDC-01R

External DC Power supply, VC70, 9-60VDC Requires 25-159551-01 fused DC power cable to vehicle battery

DC POWER CABLE | ID: 25-159551-01

Cable, external 9-60V DC power supply to vehicle battery, 10', includes fuse, VC70. Required for the PWRS-9-60VDC-R





VC70

VEHICLE MOUNT (WHEN REPLACING THE VC50 AND REUSING THE VC50 DC POWER CABLE)

DC POWER SUPPLY

ID: PWRS-9-60VDC-01R

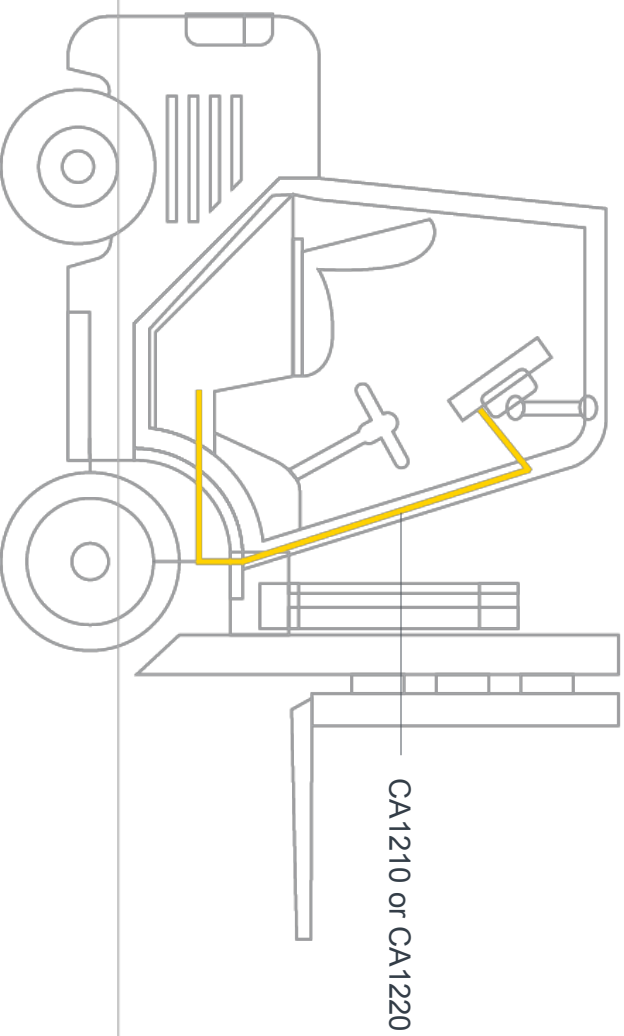
External DC Power supply, VC70, 9-60VDC Requires 25-159551-01 fused DC power cable to vehicle battery

POWER ADAPTER CABLE | ID: 25-159553-01

Cable, external power supply to existing VC5090 power cable (25-71919-03R or 25-71919-04R), includes fuses, 2', VC70



Buy both

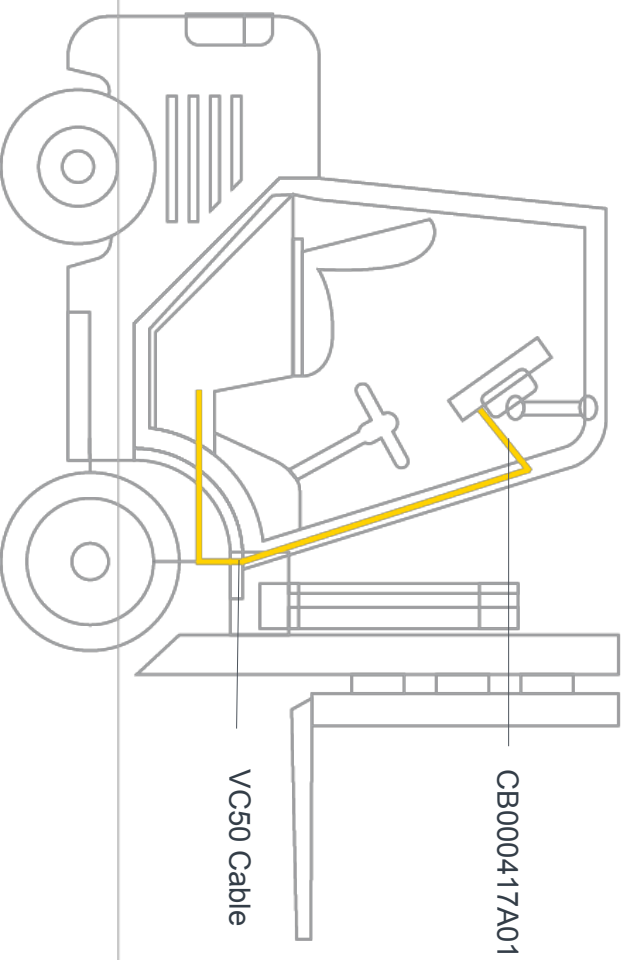




VH10 OR VC80 Series

VEHICLE MOUNT (POWER SUPPLY IS INSIDE THE COMPUTER)

Pick one	
	DC POWER CABLE ID: CA1210 Power Extension Cable, DC, 6', waterproof
	DC POWER CABLE ID: CA1220 Power Extension Cable DC, 6', waterproof - Includes Screen Blanking feature



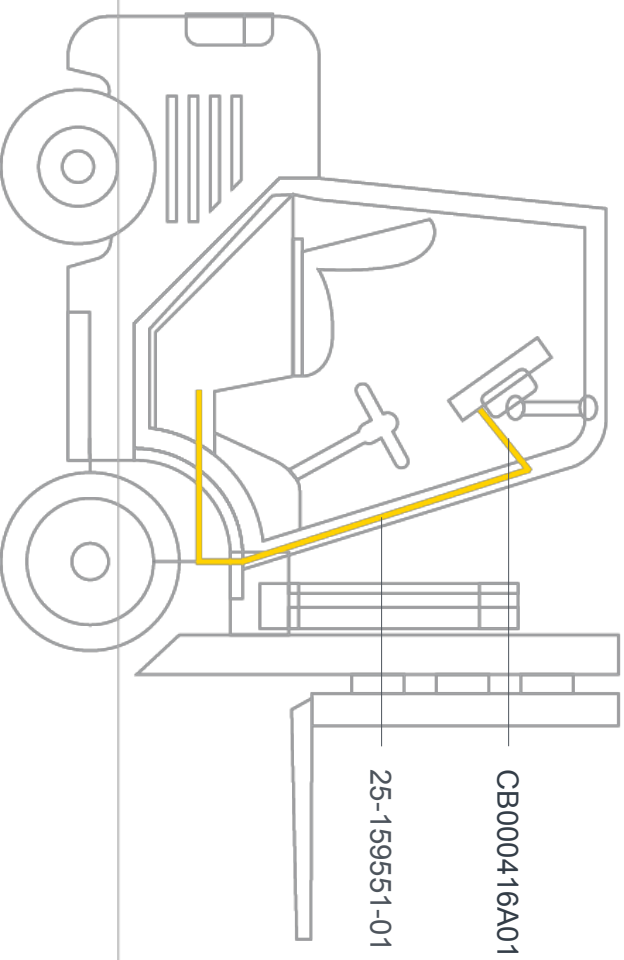
VH10 OR VC80 Series

VEHICLE MOUNT (WHEN REPLACING VC50 AND REUSING THE VC50 DC POWER CABLE)

POWER ADAPTER CABLE | ID: CB0000417A01

DC Power Adapter to VC50





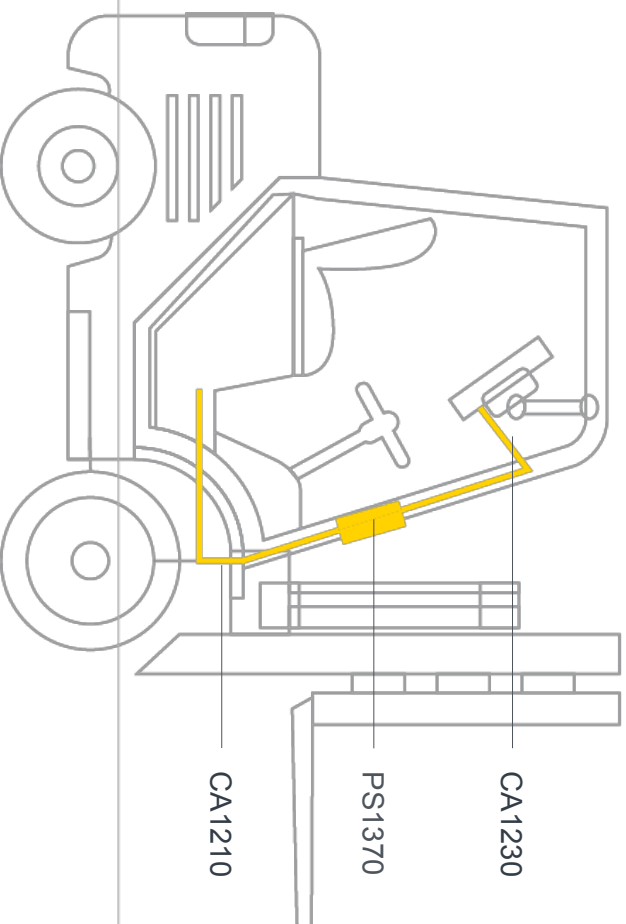
VH10 OR VC80 Series

VEHICLE MOUNT (WHEN REPLACING VC70 AND REUSING THE VC70 DC POWER CABLE)



POWER ADAPTER CABLE | ID: CB000416A01

DC Power Adapter to VC70

**VH10 OR VC80 Series****VEHICLE MOUNT (WITH PRE-REGULATOR TO DECREASE VOLTAGE - FOR TRUCKS WITH BATTERIES GREATER THAN 48V)****DC POWER CABLE | ID: CA1230**

DC Power Adapter to VC70

PRE-REGULATOR | ID: PS1370

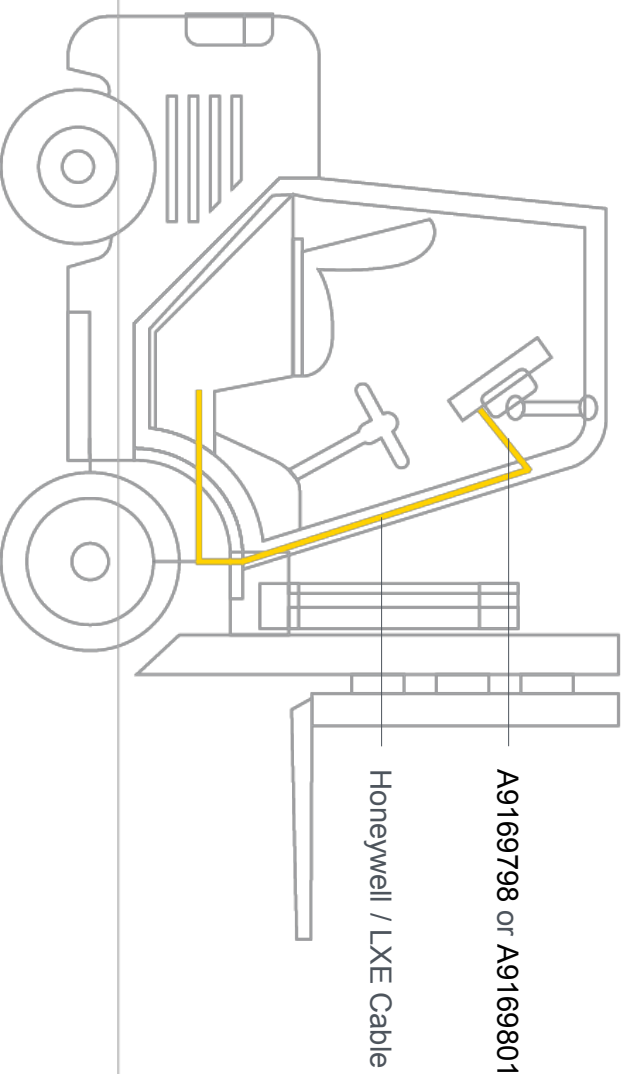
Pre-Regulator, 19 - 90 VDC in, 15 VDC out, 90 W

DC POWER CABLE | ID: CA1210

Power Extension Cable, DC, 6', waterproof

Buy all three





VH10 OR VC80 Series

VEHICLE MOUNT (WHEN REPLACING A HONEYWELL/LXE VC AND REUSING THE DC POWER CABLE)



POWER ADAPTER CABLE | ID: A9169798

Adapter CPC to LXE/Honeywell VX8, VX9, VM1, VM2 AND VM3 DC Power Extension Cable



POWER AND SCREEN BLANKING ADAPTER CABLE | ID: A9169801

Adapter CPC and serial to LXE VX8 and VX9 DC Power Extension and Screen Blanking Cable

STEP 2: MOUNTS

YOUR MOUNTING OPTIONS DEPEND ON YOUR COMPUTER.

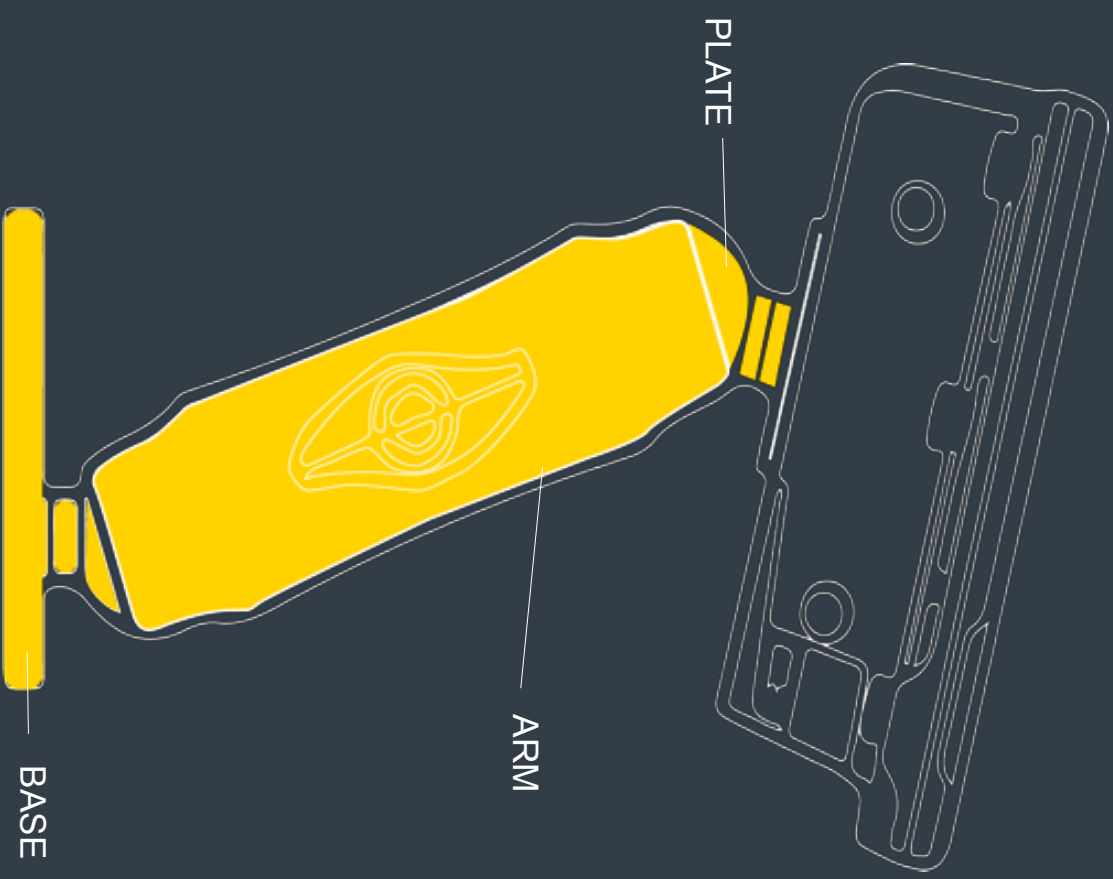
FOR THE VH10 AND VC80 Series — SLIDES 16 AND 17

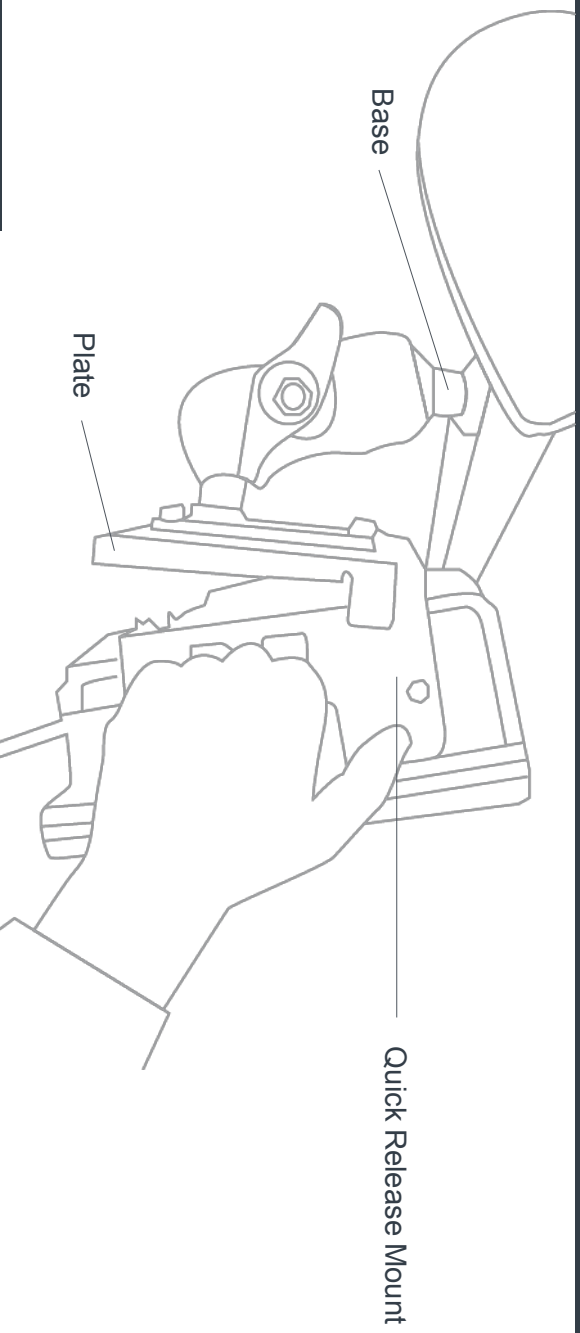
- RAM MOUNT
- QUICK-RELEASE MOUNT
- ADAPTER BRACKET FOR 82XX MOUNTS
- ADAPTER BRACKETS FOR LEGACY VCS

FOR THE VC70, CHOOSE ONE: — SLIDE 18

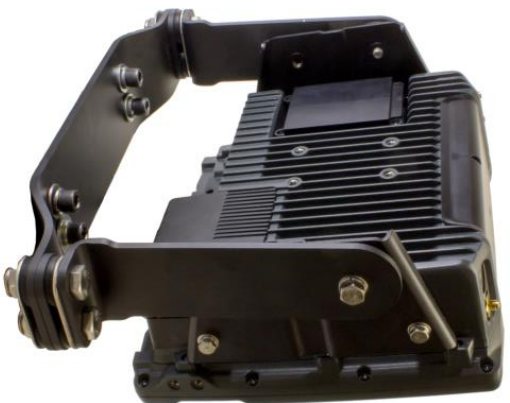
- RAM MOUNT
- U MOUNT
- ADAPTER BRACKET FOR VC50 MOUNT

YOU CAN ALSO SELECT A RAM FIXED — SLIDE 19 MOUNT BASED ON YOUR VEHICLE THAT WORKS WITH THE VH10, VC70, VC80 AND VC80X.




FOR THE VH10 OR VC80 Series
DO YOU NEED A RAM MOUNT, A QUICK RELEASE MOUNT, OR ADAPTERS TO OLD 82XX MOUNTS?

	QUICK RELEASE MOUNT Quick release mount. Attaches to the side of the computer and includes Mounting Plate (MT4205) that attaches to forklift.	ID: MT4200
	PLATE Mounting plate for MT4200, Quick Release Mount, needed if you have one computer for multiple trucks	ID: MT4205
	ADAPTER BRACKET Adapter bracket kit for the older 82XX mounts	ID: MT4210
	PLATE VESA plate (for 4" or 12" RAM arm), Can also be attached to Quick Release Mount Plate (MT4205)	ID: MT3501
	BASE RAM 2"x3" rectangular base with 2.25" rubber ball. Can be attached directly to VH10, VC80 and VC80x	ID: MT4510


FOR THE VH10 OR VC80 Series
DO YOU REPLACE A LEGACY ZEBRA OR HONEYWELL/LXE VC?
ADAPTER FOR VC50 U-MOUNT
ID: MNT-VC80-ADPPA1-1

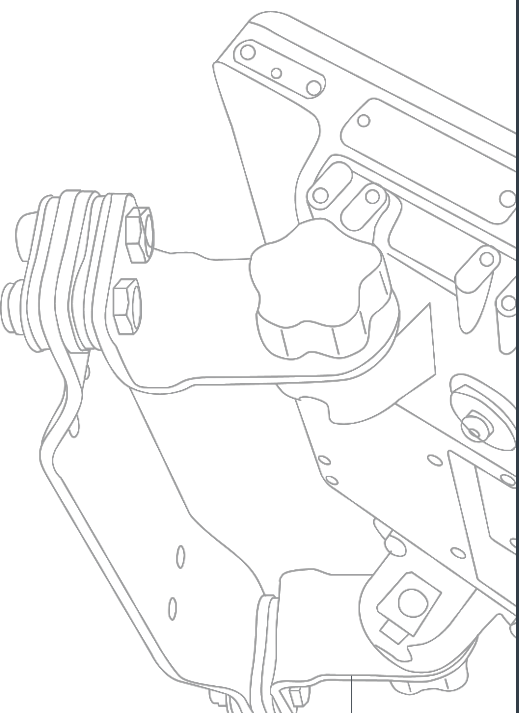
The adapter brackets for the VC50 U-Mount can be used to replace a VC50 by a VH10, VC80 or a VC80x and reuse the existing U-Mount.


U-MOUNT, WITH VC70 U-MOUNT HOLE PATTERN
ID: KT-U-MOUNT-VC80-R

The VC80 Series U-Mount is smaller than the one for the VC50 and has several mounting holes which allow drop-in replacements of VC70, and DLOG U-Mounts. It provides step less tilting of the VC and comes with the VC50 adapters.


ADAPTER FOR HONEYWELL U-MOUNT
ID: MNT-VC80-ADPB1-1

The adapter brackets for the Honeywell U-Mount can be used to replace a Honeywell/LXE VC by a VH10, VC80 or a VC80x and reuse the existing U-Mount (Honeywell part number VM1010BRKTKIT).



Adapter Brackets

FOR THE VC70
DO YOU NEED A RAM MOUNT, AN U MOUNT, OR ADAPTER BRACKETS TO THE VC50 U MOUNT?

RAM MOUNT
| ID: RAM-D-2461U-MOTO7

RAM bridge with RAM-D-2461U RAM MOUNT, D (2.25") size ball with screws. Including screws to mount the PWR9-9-60VDC-01R External DC Power Supply. Used when replacing equipment already mounted with RAM mounts


RAM MOUNT
| ID: RAM-D-2461U-MOTO7B

RAM-D-2461U RAM MOUNT, D (2.25") size ball with screws. Used when the PWR9-9-60VDC-01R External DC Power Supply has to be mounted away or when AC power supply is used. Used when replacing equipment already mounted with RAM mounts


U MOUNT
| ID: KT-U-MOUNT-VC70-R

U mount, VC70, with mounting hardware


ADAPTER BRACKET | ID: KT-VC50ARM3-VC70-R

2 mount adapter arms for VC50 bracket, 3.5", with bolts


ADAPTER BRACKET | ID: KT-VC50ARM7-VC70-R

2 mount adapter arms for VC50 bracket, 7", with bolts

VC70, VC80 Series & VH10

DEPENDING ON THE VEHICLE, BELOW ARE THE RAM FIXED MOUNTING OPTIONS TO THE COMPUTER AND/OR THE VEHICLE.



ARM | ID: MT4301
RAM mount, 4" arm



ARM | ID: MT4302
RAM mount, 12" arm



PLATE | ID: MT3501
VESSA plate (for 4" or 12" RAM arm), Can also be attached to Quick Release Mount Plate (MT4205)



PLATE | ID: MT3502
Round plate (for 4" or 12" RAM arm), Uses smaller footprint than MT3501 VESPA Plate



BASE | ID: MT3505
Clamp base (for 4" or 12" RAM arm), 2" max. width



BASE | ID: MT3507
Clamp base (for 4" or 12" RAM arm), 3" max. width



BASE | ID: MT3509
Rail base (for 4" or 12" RAM arm), 1-1/4" to 1-7/8"



BASE | ID: MT3510
Rail base (for 4" or 12" RAM arm), 2" to 2 1/2"



BASE | ID: MT4510
RAM 2"x3" rectangular base with 2.25" rubber ball

STEP 3: SCANNERS

WHEN SHOPPING FOR SCANNER CABLES, CHOOSE BETWEEN COILED OR STRAIGHT FOR YOUR SCANNER AND BETWEEN A RS232 OR USB PLUG.

SCANNER CABLES FOR DS36XX — SLIDE 21

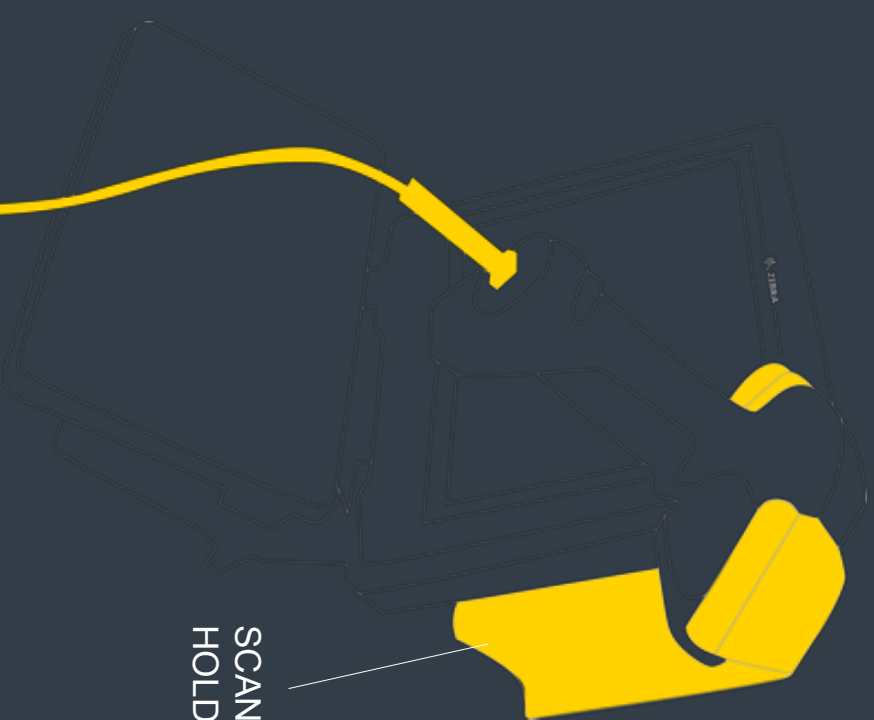
SCANNER CABLES FOR LS/DS 34XX/35XX — SLIDE 22

SCANNER HOLDERS INCLUDE — SLIDE 23

- UNIVERSAL OPTIONS
- SOLUTIONS FOR LS34X8ER AND LS35X8ER
- THERMOTRAZ HEATED

SCANNER CABLE

SCANNER
HOLDER





VH10 VC70 VC80 Series



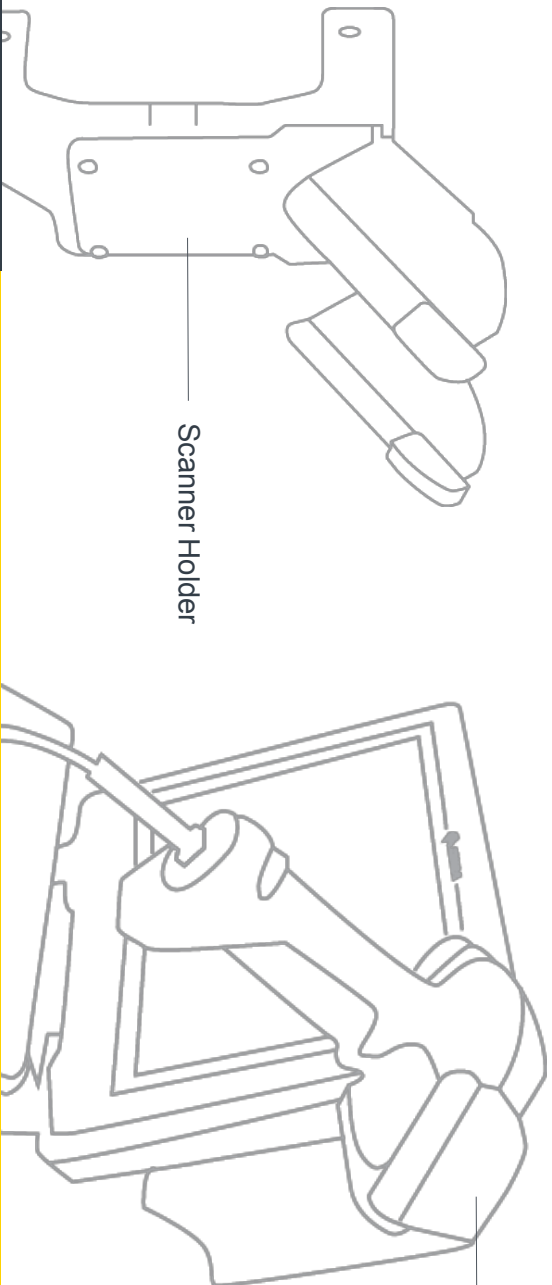
DS36XX

SCANNER CABLES

	RS232 Cable - RS232: DB9 Female Connector, 9ft. (2.8m) Coiled, Power Pin 9, TXD on 2, True Converter, -30C		
	SHIELDED USB ID: CBA-UF2-C12ZZAR Cable - Shielded USB: Series A Locking Connector for VC70, 12', Coiled, -30C	●	
	RS232 Cable - RS232: DB9 Female Connector, 9ft (2.8m) Coiled, Power Pin 9	●	●
	RS232 Cable - RS232: DB9 Female Connector, 9ft (2.8m) Coiled, Power Pin 9, -30C	●	●
	SHIELDED USB ID: CBA-U46-S07ZAR Cable - Shielded USB: Series A Connector, 7ft. (2m), Straight, BC 1.2	●	●
	SHIELDED USB ID: CBA-U47-S15ZAR Cable - Shielded USB: Series A Connector, 15ft. (4.6m), Straight, BC 1.2	●	●
	SHIELDED USB ID: CBA-UF1-S07ZAR Cable - Shielded USB: Series A Connector, 7ft. (2m), Straight, BC 1.2, -30C	●	●
	SHIELDED USB ID: 25-159548-01 Cable - Shielded USB: Series A Locking Connector for VC70, 12', Coiled, -30C		●
	RS232 Cable - RS232: DB9 Female Connector, 9ft. (2.8m) Coiled, Power Pin 9, TXD on 2, True Converter		●
	RS232 Cable - RS232: DB9 Female Connector, 9ft. (2.8m) Coiled, Power Pin 9, TXD on 2, True Converter, Low Temp -30C		●
	RS232 Cable - RS232: DB9 Female Connector, 9ft (2.8m) Coiled, Power Pin 9	●	●
	USB Cable - USB: Series A Connector, 15ft. (4.6m) Coiled	●	●
	SHIELDED USB ID: CBA-U01-S07ZAR Cable - Shielded USB: Series A Connector, 7ft. (2m), Straight, BC 1.2	●	●
	SHIELDED USB ID: CBA-U10-S15ZAR Cable - Shielded USB: Series A Connector, 15ft. (4.6m), Straight, BC 1.2	●	●

LS/DS 34XX/35XX

SCANNER CABLES



Scanner Holder

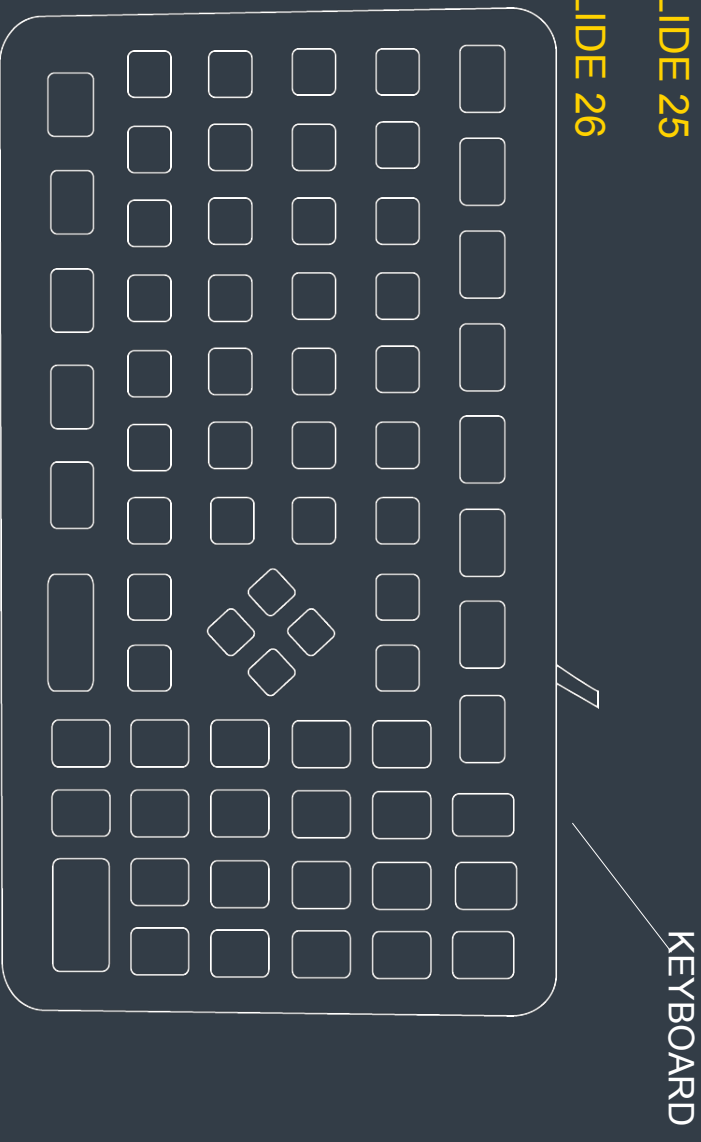
SCANNER HOLDERS

	SCANNER HOLDER ID: KT-SCANMNT-VC70-R Mounting holder for the scanner. For LS34x8ER, LS35x8ER. Requires KT-ACCMNT-VC70-R Accessory side mount bracket			
	ACCESSORY MOUNT ID: KT-ACCMNT-VC70-R Accessory side mount bracket			
	SCANNER HOLDER ID: 9008951 Thermotrax heated scanner holder with cable management system, 12 Volt, for LS/DS 34xx / 35xx			
	SCANNER HOLDER ID: 9008953 Thermotrax heated scanner holder with cable management system, 36-48 Volt, for LS/DS 34xx / 35xx			
	SCANNER HOLDER ID: 9008952 Thermotrax heated scanner holder with cable management system, 24 Volt, for LS/DS 34xx / 35xx			
	SCANNER HOLDER ID: KT-SCANMNT-VC80-R Side mounted holder for scanner			

STEP 4: KEYBOARDS

WHILE THE VH10 HAS A BUILT-IN KEYBOARD, THE VC70 AND VC80 Series GIVE YOU MULTIPLE OPTIONS.

- VC80 Series KEYBOARDS — SLIDE 24
- VC70 KEYBOARDS — SLIDE 25
- IKey KEYBOARDS — SLIDE 26





VC80 Series

KEYBOARDS, CABLES AND MOUNTING OPTIONS



KEYBOARD | ID: KYBD-AZ-VC-01
 VC USB Keyboard AZERTY



KEYBOARD | ID: KYBD-QW-VC80-S-1
 USB Keyboard QWERTY with 22 cm cable for VC80/VC80x



KEYBOARD | ID: KYBD-QW-VC80-L-1
 USB Keyboard QWERTY with 300 cm cable for VC80/VC80x



KEYBOARD CABLE | ID: CBL-VC80-KBUS1-01
 22 cm VC80 Series USB cable for heated Keyboard



KEYBOARD CABLE | ID: CBL-VC80-KBUS2-01
 300 cm VC80 Series USB cable for heated Keyboard



KEYBOARD | ID: KYBD-NU-VC70-03R
 USB Keyboard QWERTY with 300 cm y-cable for VC70 Freezer



KEYBOARD TRAY | ID: KT-KYBDTRAY-VC70-3
 QWERTY/AZERTY Keyboard mounting tray. Includes tilting arms, knobs and screws.



KEYBOARD SIDE MOUNT BRACKET | ID: KT-KYBDMNT-VC70-R
 Function/Numeric keypad side mount bracket



VC70

KEYBOARDS, CABLES AND MOUNTING OPTIONS



KEYBOARD | ID: KYBD-AZ-VC-01
 VC USB Keyboard AZERTY



KEYBOARD | ID: KYBD-QW-VC70-S-1
 USB Keyboard QWERTY with 18 cm cable for VC70



KEYBOARD | ID: KYBD-QW-VC70-L-1
 USB Keyboard QWERTY with 300 cm cable for VC70



KEYBOARD | ID: KYBD-QW-VC70F-S-1
 USB Keyboard QWERTY with 37 cm Y-cable for VC70 Freezer



KEYBOARD | ID: KYBD-QW-VC70F-L-1
 USB Keyboard QWERTY with 300 cm Y-cable for VC70 Freezer



KEYBOARD CABLE | ID: CBL-VC70-KBUS1-01
 18 cm VC70 USB cable for heated Keyboard



KEYBOARD CABLE | ID: CBL-VC70-KBUS2-01
 300 cm VC70 USB cable for heated Keyboard



KEYBOARD CABLE | ID: CBL-VC70-KBUS4-01
 37 cm VC70 USB & RS232 Y-cable for heated Keyboard



KEYBOARD CABLE | ID: CBL-VC70-KBUS4-01
 300 cm VC70 USB & RS232 Y-cable for heated Keyboard



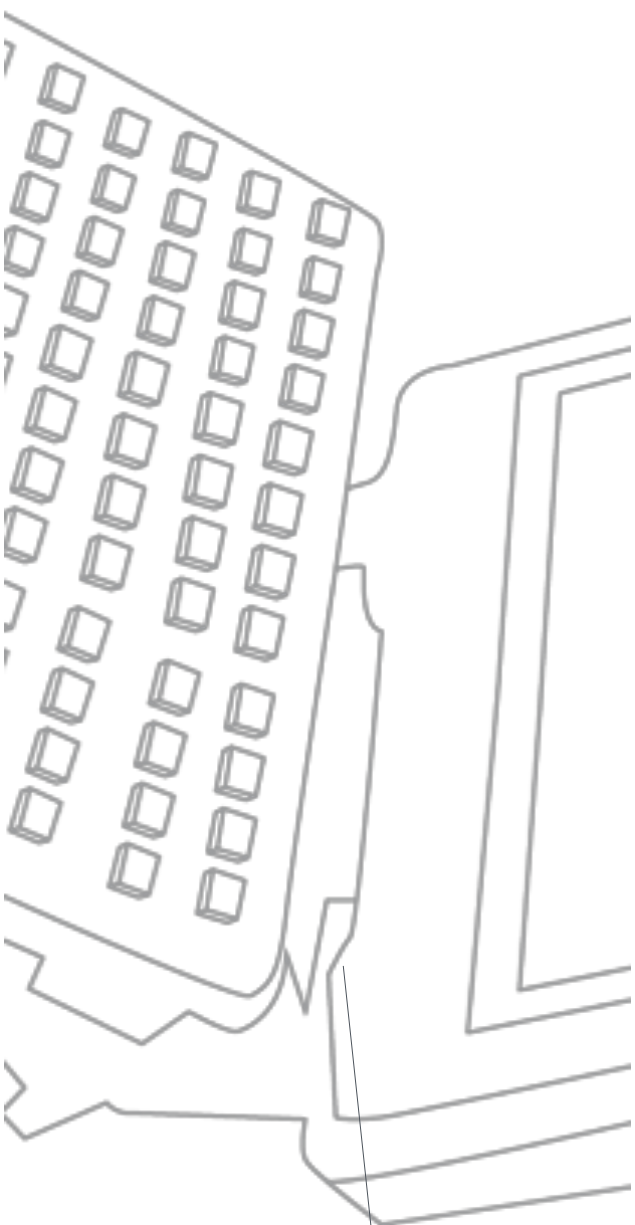
KEYBOARD | ID: KYBD-NU-VC70-03R
 USB Keyboard QWERTY with 300 cm Y-cable for VC70 Freezer



KEYBOARD TRAY | ID: KT-KYBDTRAY-VC70-3
 QWERTY/AZERTY Keyboard mounting tray. Includes tilting arms, knobs and screws.



KEYBOARD SIDE MOUNT BRACKET | ID: KT-KYBDMNT-VC70-R
 Function/Numeric keypad side mount bracket



Keyboard

VC70 & VC80 Series

iKey KEYBOARDS



KEYBOARD | ID: 9010376
 iKey Keyboard, English, backlight, USB Cable - RS232: DB9 Female Connector, 9ft. (2.8m) Coiled, Power Pin 9, TXD



KEYBOARD | ID: 9010377
 iKey Keyboard, English, color, USB

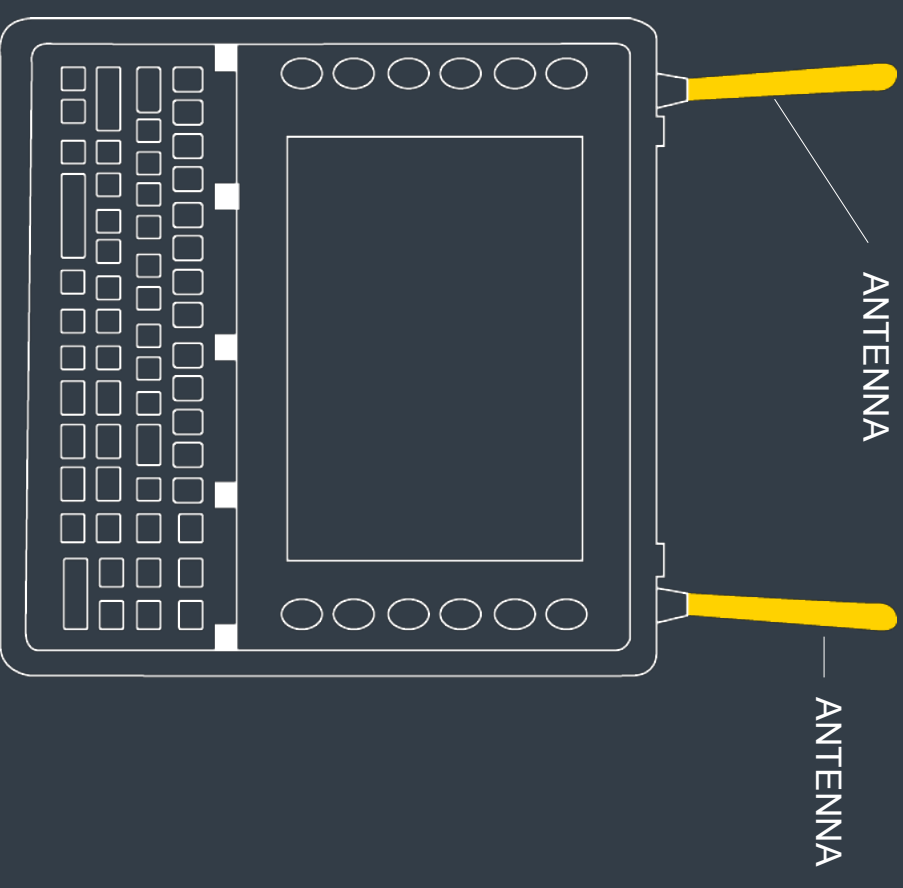
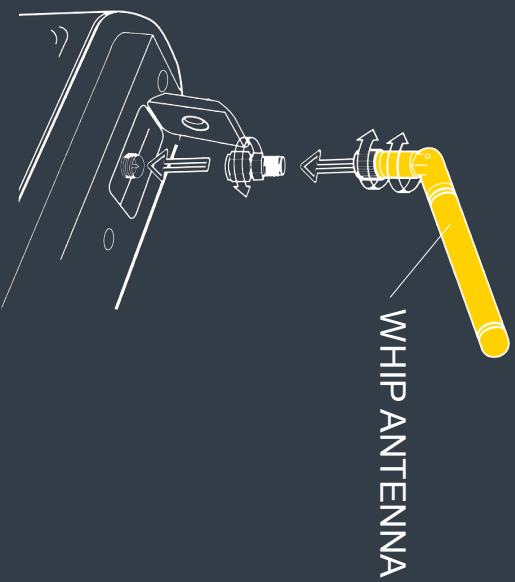


KEYBOARD | ID: SLK-101-M-USB-3F
 iKey Keyboard, 101 keys (12 Function keys), large numeric pad, backlight, USB

STEP 5: ANTENNAS

YOUR OPTIONS OF ANTENNAS ARE WIDE: ——— SLIDE 28

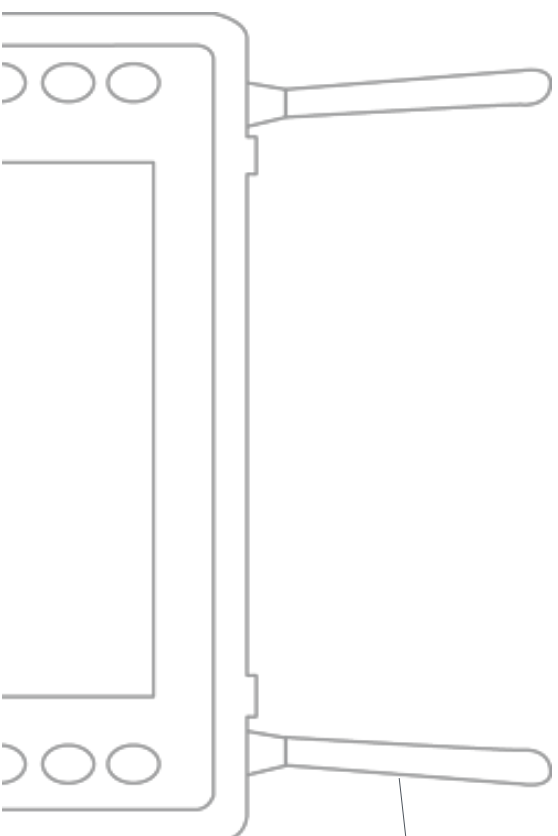
- WIFI – VC70, VC80 Series & VH10
- NARROWBAND – VH10 ONLY
- GPS – VC80 Series ONLY
- RIGHT-ANGLE ADAPTER FOR INSTALLATIONS WITH LITTLE OVERHEAD SPACE – VC70, VC80 Series & VH10



HERE'S A LIST OF ANTENNAS AND CONNECTIVITY FOR YOU TO CHOOSE FROM

ALL VCS ANTENNAS & CONNECTIVITY FOR WIFI

	<p>ANTENNA ID: 20667-002 Whip antenna (stubby), 802.11 b/g - dipole 2 dBi reverse polarity SMA connector Antenna, dual band, 802.11 a/b/g/n, 2 dBi, RPSMA connector, magnetic mount, 2.9m, WiFi</p>
	<p>ANTENNA ID: AN2010 Antenna, dual band, 802.11 a/b/g/n, 2 dBi, RPSMA connector, magnetic mount, 2.9m, WiFi</p>
	<p>ANTENNA ID: AN2020 Antenna, 2.4 GHz, 802.11 b/g, 5 dBi, RPSMA connector, magnetic mount, 2.9m</p>
	<p>ANTENNA ID: AN2030 Whip antenna (stubby), dual band, 802.11 a/b/g/n, 2.4GHz 2dBi, 5GHz 3.7 dBi, RPSMA connector, WiFi</p>
<h3>VC70 ADAPTERS FOR VC70 TO ATTACH EXTERNAL WIFI ANTENNAS WITH RPSMA CONNECTOR</h3>	
	<p>ADAPTER ID: RPSMA-RTRPSMA-05R ANTENNA ADAPTER RPSMA - RTRPSMA, 5-PACK, Required for the VC70 WiFi Antennas</p>
	<p>ADAPTER ID: RPSMA-RTRPSMA-10R ANTENNA ADAPTER RPSMA - RTRPSMA, 10-PACK, Required for the VC70 WiFi Antennas</p>



Antenna

VH10
ANTENNAS & CONNECTIVITY FOR NARROWBAND

ANTENNA | ID: 9009801

Antenna, Narrow Band 1/4 wave, 406-512 MHz 6" NB


MOUNT | ID: 9009792

Mount, Magnetic, for Narrowband, antenna, SMA, 12' cable

VC80 / VC80X
ANTENNA FOR GPS

ANTENNA | ID: RPSMA-RTRPSMA-05R

GNSS antenna, magnetic mount, 2.9 m cable

ALL VCS
RIGHT ANGLE ADAPTER FOR INSTALLATIONS WITH LITTLE SPACE OVERHEAD, ALL VCS

RIGHT ANGLE ADAPTER | ID: AR1000

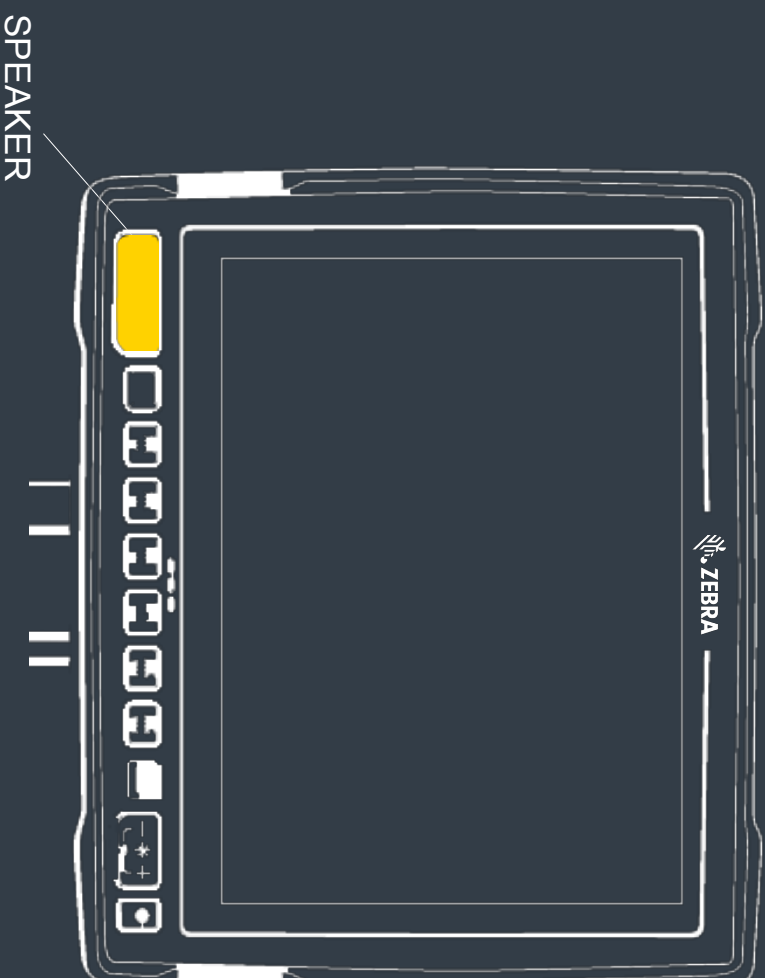
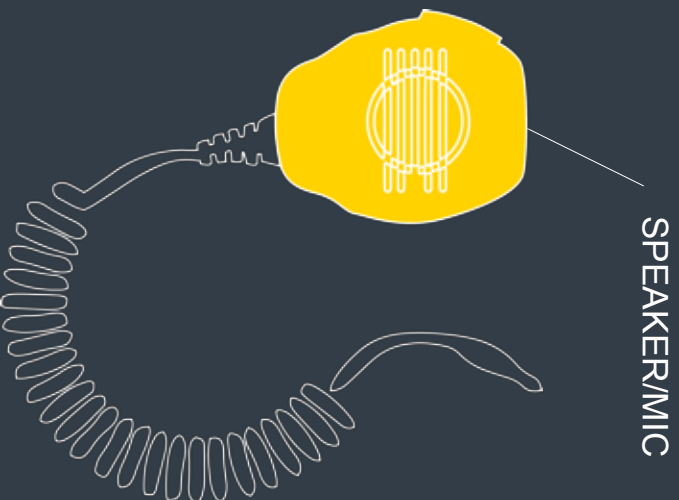
Right Angle SMA reverse polarity plug-jack Adapter

STEP 6: VOICE

SELECT FROM TURNKEY KITS OR VOICE ACCESSORIES À LA CARTE.

YOUR VOICE OPTIONS — SLIDE 31

- VOICE

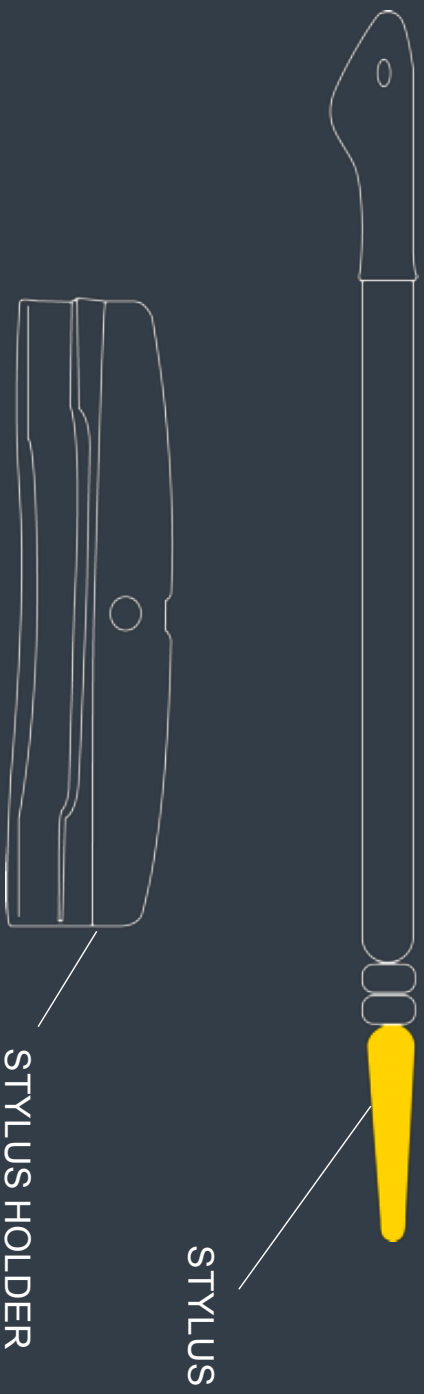


VOICE			VH10	VC70	VC80 Series
	MICROPHONE KIT ID: KT-MIC-01R This bundle includes the VC70 External PTT mic, the Motorola HMN1089B Water-resistant Palm Microphone or equivalent and the KT-ACCMNT-VC70-R Accessory Side mount bracket.		<input type="checkbox"/>	<input type="checkbox"/>	<input type="checkbox"/>
	MICROPHONE ID: HMN1089B Push-To-Talk Hand Microphone, GCAI connector, Water Resistant		<input type="checkbox"/>	<input type="checkbox"/>	<input type="checkbox"/>
	SIDE MOUNT ID: KT-ACCMNT-VC70-R Accessory Side mount bracket		<input type="checkbox"/>	<input type="checkbox"/>	<input type="checkbox"/>
	SPEAKER KIT ID: KT-SPKR-01R This bundle includes the External speaker, the Motorola HSN4039A 13 Watt water-resistant loudspeaker and the 25-159552-01 VC70 external speaker adapter cable.		<input type="checkbox"/>	<input type="checkbox"/>	<input type="checkbox"/>
	SPEAKER ID: HSN4040A External speaker, Motorola HSN4040A 13 Watt water-resistant loudspeaker. Requires 25-159552-01		<input type="checkbox"/>	<input type="checkbox"/>	<input type="checkbox"/>
	INTERFACE CABLE ID: 25-159552-01 Speaker cable adapter, for HSN4040A, VC70. Required to connect the HSN4040A external speaker.		<input type="checkbox"/>	<input type="checkbox"/>	<input type="checkbox"/>
	SPEAKER/MIC ID: M1000 Speaker/Mic with push-to-talk function		<input type="checkbox"/>	<input type="checkbox"/>	<input type="checkbox"/>









STEP 7: MISCELLANEOUS

DON'T FORGET TO CONSIDER THESE: ——— SLIDE 33

- STYLUS
- SCREEN PROTECTOR
- CAN BUS CABLE
- USB TO ETHERNET ADAPTER



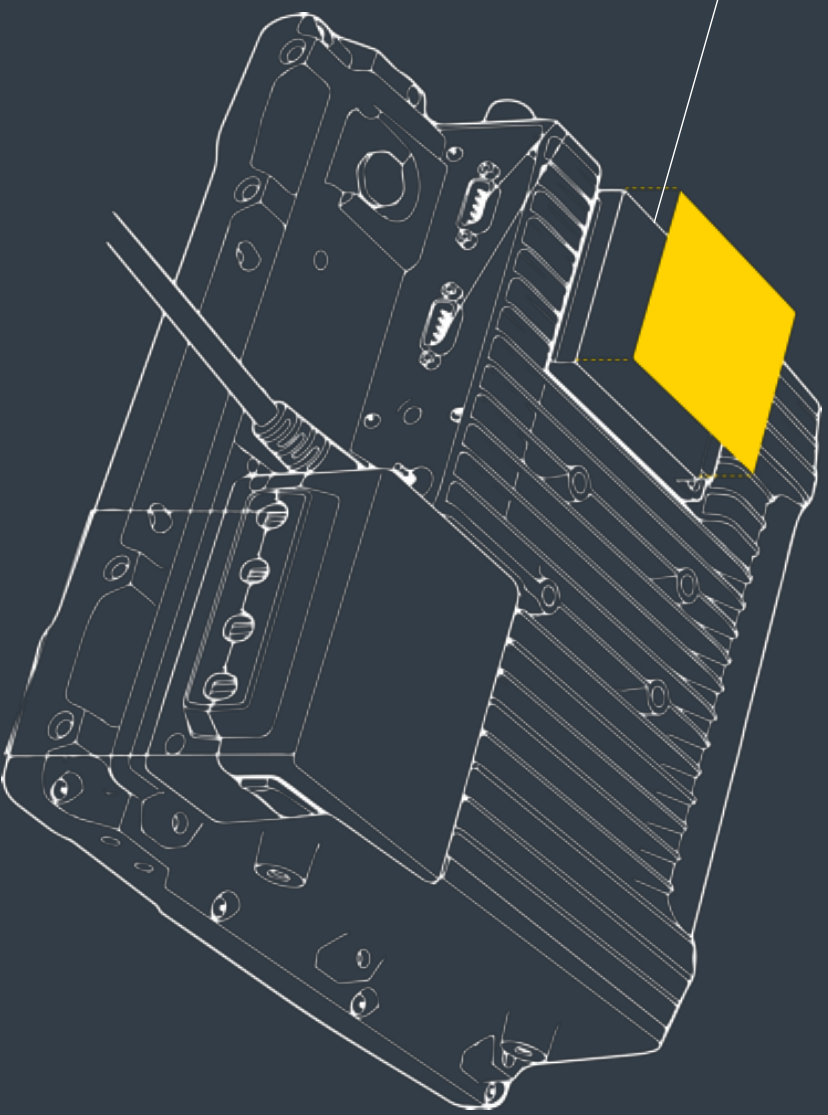
MISCELLANEOUS

	VH10	VC70	VC80 Series
 ID: SL0001 Stylus and Stylus Holder	•	•	•
 ID: VA6200 Screen Protector Pack of 3	•		
 ID: KT-SPRTCT-VC70-05R Screen Protector Pack of 5		•	•
 ID: CA1300 Screen blanking cable (DB9 to open wires)	•		•
 ID: CB-000433-01 CAN Bus Cable (RJ45 to Deutsch)			•
 ID: WA4070 USB to Ethernet Adapter	•		
 ID: 25-159547-01 Cable DB15M to DB9M, for COM2		•	
 ID: SG-VC70-VISR1-01 VC70 Sun Visor mountable with cut out wing.		•	

STEP 8: SERVICE PARTS

STOCK UP ON THESE ESSENTIAL SPARE PARTS: — SLIDE 35

- TOOL KIT
- KEYPADS
- TOUCH SCREENS
- SPARE BATTERY





VH10 VC70 VC80 Series



SERVICE PARTS

ID: AL1001
QWERTY Keypad

ID: AL1002
AZERTY Keypad

ID: AL2002
Front with standard touch screen and function keys

ID: AL2002
Front with heated touch screen and function keys

ID: ST2000
Modular Services Kit

ID: KT-VC80-BTRY1-01
Spare Battery

ID: KT-VC80-SCRH1-01
Front with Touch Screen (heated)

ID: KT-VC80-SCRN1-01
Front with Touch Screen (non-heated)

ID: BTRY-VC70IAB00
Spare Battery

ID: KYBD-QW-VC-01
QWERTY Spare Elastomer for VC USB Keyboard

ID: KYBD-AZ-VC-01
AZERTY Spare Elastomer for VC USB Keyboard