



Features

- 10.1" Flush LCD Touchscreen
- IP66 Fully Enclosed Fanless Design
- USB, LAN, and COM Ports
- Grade 304 Stainless Steel Enclosure
- Resistive or Capacitive Touchscreen
- M12 Metal I/O Connectors

Technical Specifications

System

Processor	Intel Celeron N2930 CPU
CPU Performance	1.83GHz
Chipset	System on Chip (SoC)
Storage	2.5" SATA Drive
Storage Support	HDD or SSD
Memory	OnBoard
Memory (RAM)	4GB, 8GB

Display

Screen Size	10.1"
Type of Backlight	TFT LCD
Screen Resolution	1280 x 800
Contrast Ratio	800:1
Brightness	350 nits, Optional upgrade to high brightness screen (1000 nits)
Viewing Angle	170(H) / 170(V)
Number of Colors	16.7M

Touch Screen

Light Transmission	80% +
--------------------	-------

I/O Ports

USB 2.0	1x M12 8Pin for USB 2.0 with Waterproof Cap
Serial	1x M12 8Pin for RS-232/422/485 COM Port with Waterproof Cap
Ethernet	1x M12 8pin RJ45 Gbe
DC Jack	1x M12 3pin DC Power Input with Waterproof Cap

Operating Temperature

Operating Temperature	0°C to 50°C (Optional -20°C to 60°C)
Storage Temperature	-30°C to 70°C (-22°F to 158°F)
Humidity Range	10% to 90% @ 40°C (104°F) non-condensing

Cooling System / Thermal Solution

Thermal Solution	Passive - Fanless
------------------	-------------------

Dimensions / Weight

Weight (kg)	4.0000
Dimensions	300 x 220 x 53mm (11.81 x 8.66 x 2.08in)

Enclosure

Bezel	IP66 Protected, NEMA 4X
Material	SUS304 Stainless Steel, Optional SUS316 Stainless Steel
IP Rating	IP66/NEMA 4X, Optional IP69K
Color	Stainless Steel
Control Buttons	1x On/Off Button on Side, 1x Power Switch on Back
Mounting	VESA 75 Mount

Peripherals & Devices

RFID	Optional RFID Module 2x optional blank M12 connectors with waterproof cap for selecting two from the following options:
Accessories	<ul style="list-style-type: none"> • 2 x USB 2.0 via daughter board • 1 x USB 3.0 via cable • 1 x LAN via cable • 1 x COM Port via daughter board • 1 x CAN via daughter board • 1 x POE via daughter board

All specifications are subject to change without notice.

Operating System

Operating System: Windows 10 Pro, Windows 10 IoT, Windows 8.1 Embedded, Windows 7 Embedded

Power

DC Input / Source Voltage: 9~36V DC

Expansion Slots

Mini PCIe Slot (internal): Optional Mini PCIe Slot for WiFi/Bluetooth

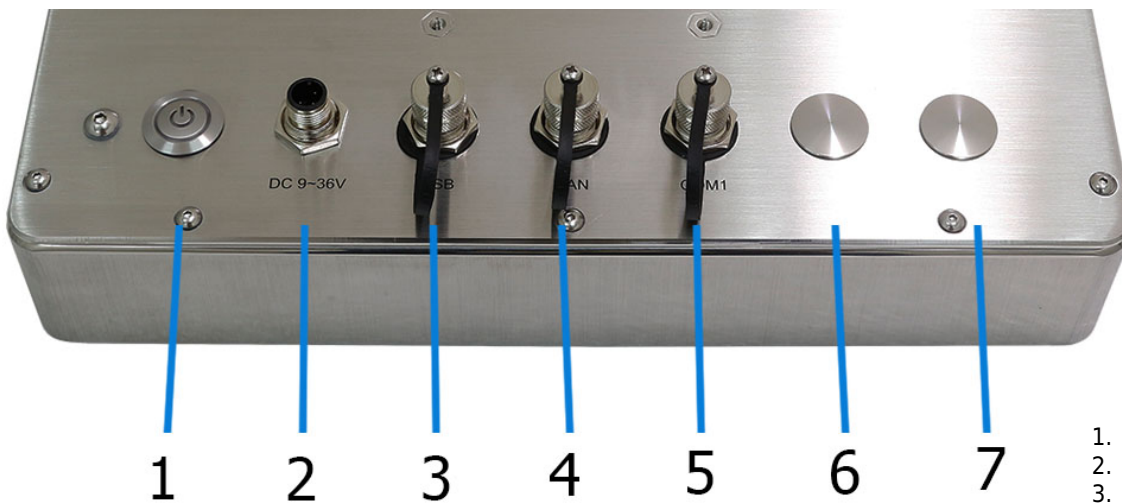
Certification

Certification: CE / FCC Class A Certification

Warranty

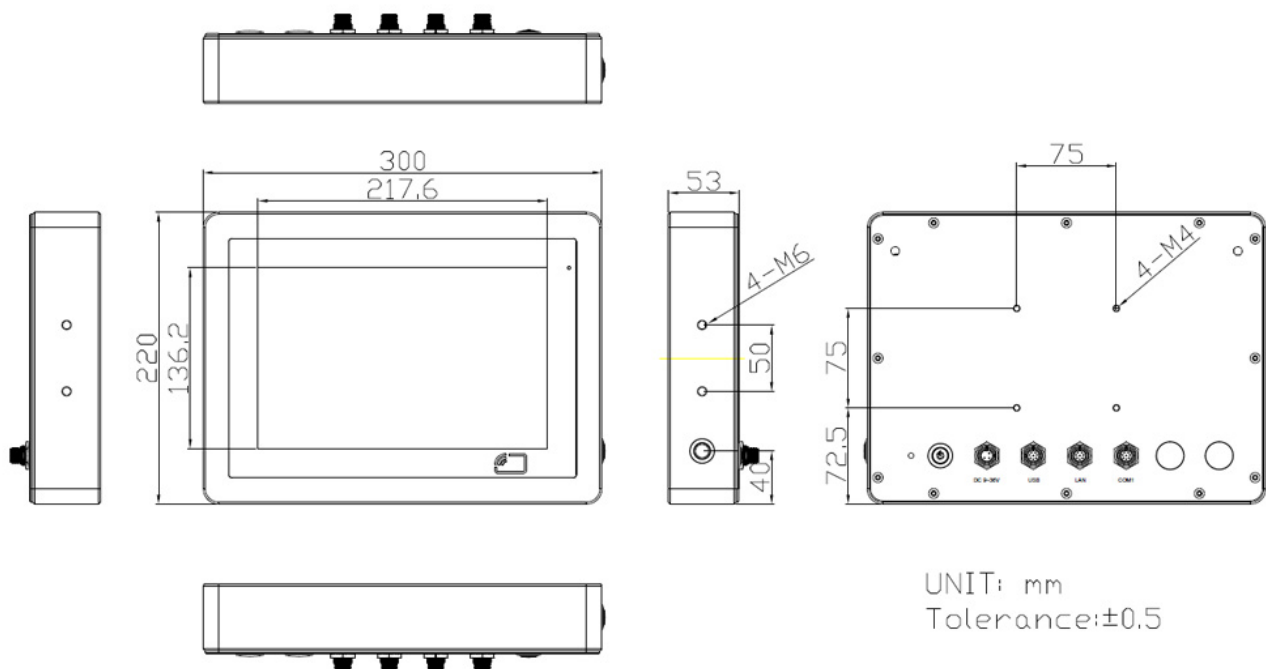
Warranty: Up to 5 Years

Inputs / Outputs



1. Power Button
2. DC Input
3. USB Port
4. LAN Port
5. COM Port
6. Optional Port
7. Optional Port

Technical Drawings



UNIT: mm
Tolerance: ±0.5

All specifications are subject to change without notice.