



**Features**

- 8" Anti-Fingerprint, Anti-Glare, Scratch-Resistant Touch Screen
- Efficient Intel Cherrytrail CPU
- 60601-1 4th Ed. Medically Certified
- IP65 Water and Dust protection
- Optional Barcode Scanner, LAN, COM and MSR
- Antimicrobial Housing With Removable Battery
- Dual Operating System Option (Windows/Android)



**Technical Specifications**

**System**

Processor	Intel® Quad Core x5-Z8350 CPU
Storage	eMMC Flash
Storage Support	(Standard) 32GB, (Optional) 64GB
Memory	DDR3
Memory (RAM)	2GB, 4GB

**Display**

Screen Size	8"
Screen Resolution	1200 x 1920
Nits	400
Display Ratio	16:10
Viewing Angle	90 degree

**Touch Screen**

Touchscreen	Projected Capacitive (Multi-touch)
Usage Capability	10 Point Projected Capacitive

**I/O Ports**

USB 2.0	1x Micro USB Port
Video	1x Micro HDMI
Audio In/out	1x 3.5mm Headphone Jack

**Operating System**

Operating System	Android 6.0.1, Windows 10 IoT
------------------	-------------------------------

**Battery**

Battery	4900mAh
Battery Operating Time	8 hrs

**Power**

DC Input / Source Voltage	Micro USB 5V/3A / Docking pogo 9V/2A
---------------------------	--------------------------------------

**Operating Temperature**

Operating Temperature	-10°C to 50°C (14°F to 122°F)
Storage Temperature	-20°C to 60°C (-4°F to 140°F)
Humidity Range	5% to 95%, non condensing
Storage Humidity	5% to 95%, non condensing

**Cooling System / Thermal Solution**

Thermal Solution	Passive - Fanless
------------------	-------------------

**Dimensions / Weight**

Weight (kg)	0.7000
Dimensions	240 x 142 x 14.5mm

**Enclosure**

Bezel	IP65 Protected
IP Rating	IP65
Transit Drop	4ft Drop Protection

**Peripherals & Devices**

Wireless Communication	3G/4G, WLAN, BT, NFC, GPS
Barcode Scanner	Optional 1D/2D Bar Code Reader
Other Devices	Built-in NFC ISO/IEC14443 A & B, Felica, MIFARE and NFCIP-1 & 2 Optional: • Hand Strap • Shoulder Strap
Accessories	• Stylus • VESA Dock With or Without I/O • 6 Bay Tablet Charger • 4 Bay Battery Charger
Extra Features	G-Sensor, Gyroscope, and ALS Sensor

*All specifications are subject to change without notice.*

**Expansion Slots**

Other Expansion 1x 14-pin Pogo Pin, 1x 16-pin Pogo Pin

**Multimedia**

Integrated Speakers 1x Speaker  
 Camera Front: 2MP, Rear: 5MP with Flash  
 Microphone 2x Built-in

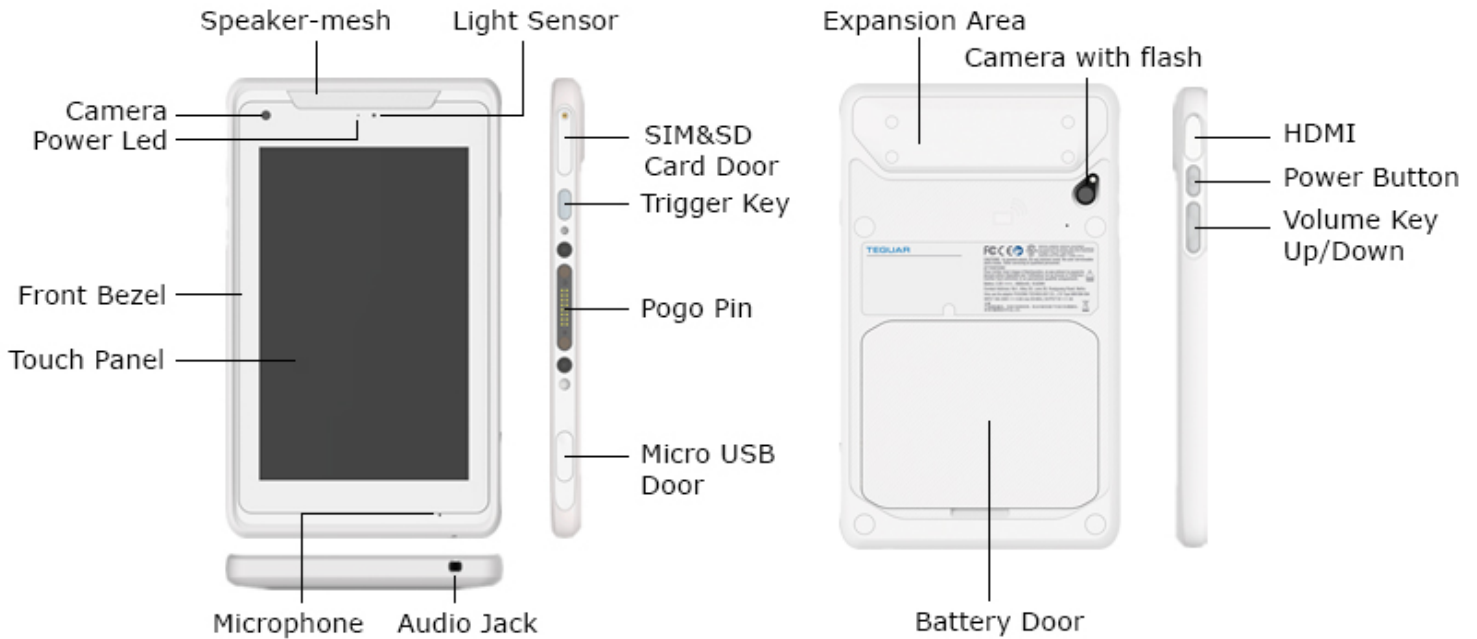
**Certification**

Certification CB, FCC ID, CE / FCC, 60601-1-2

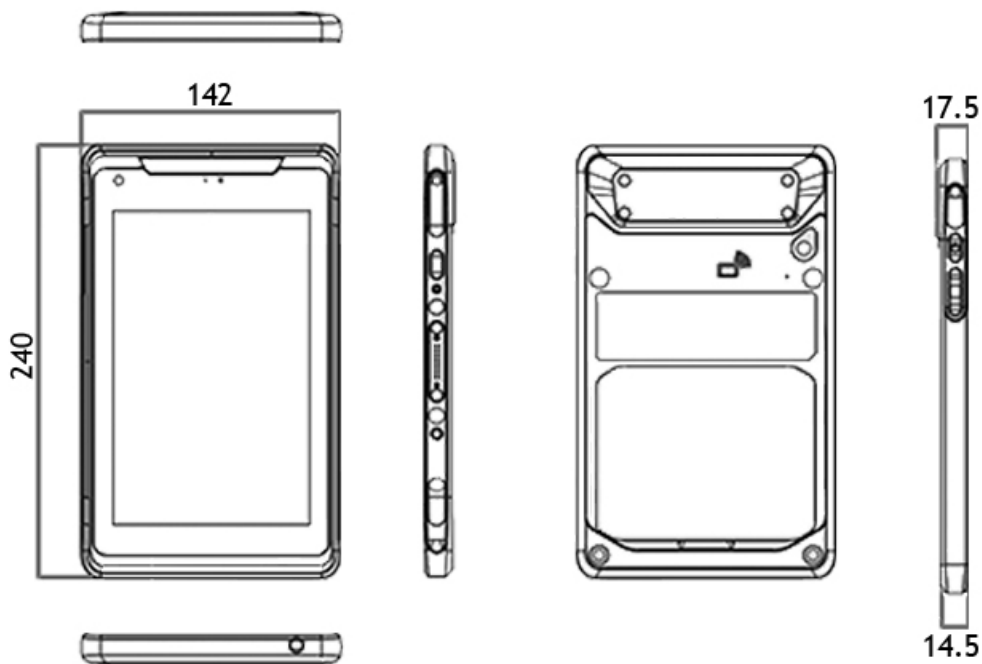
**Warranty**

Warranty Up to 5 Years

**Inputs / Outputs**

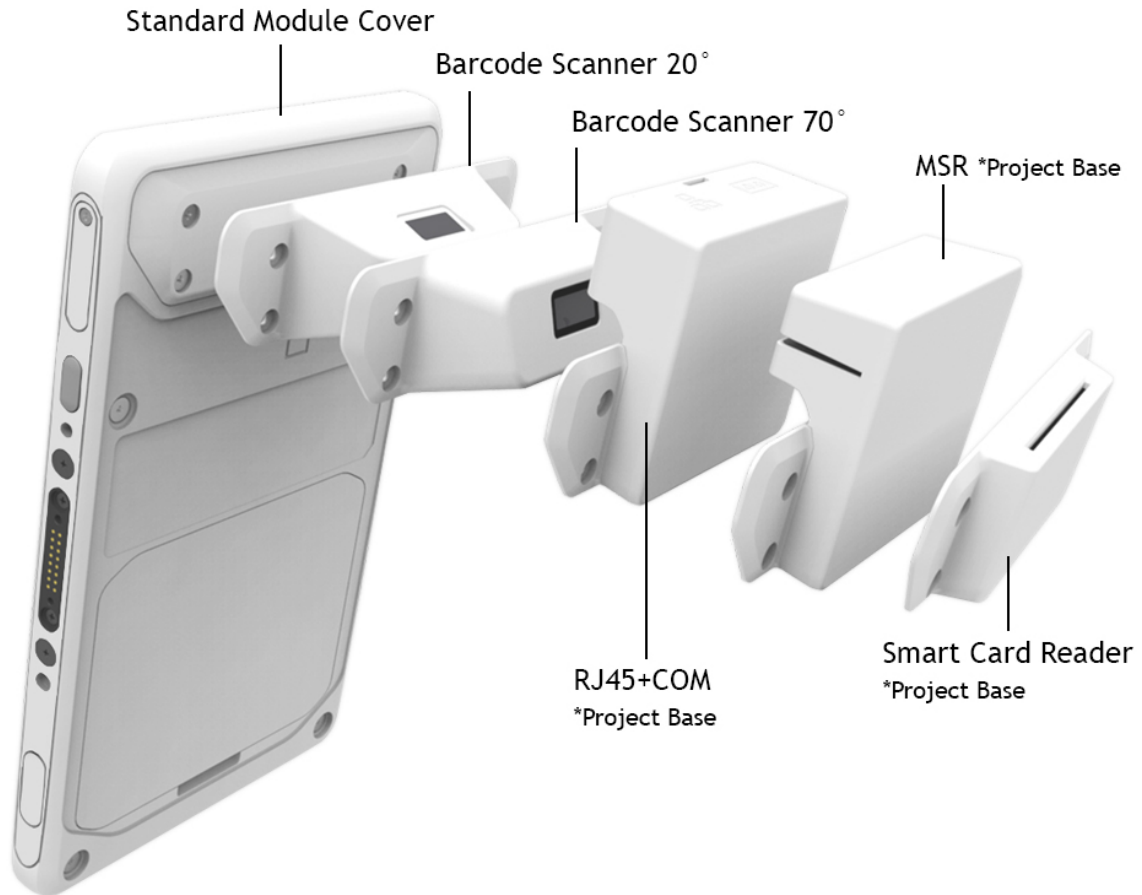


**Technical Drawings**



*All specifications are subject to change without notice.*

Expansion Modules



*All specifications are subject to change without notice.*